

# THE KLAVIER U52

A large and distinguished self-playing upright piano with a beautiful tone that is delightful to listen to. A true pleasure for a pianist to play. A beautiful finishing touch to your home.



## OTHER MODELS & SIZES

THE KLAVIER U46

W:151cm H: 118cm L: 62cm

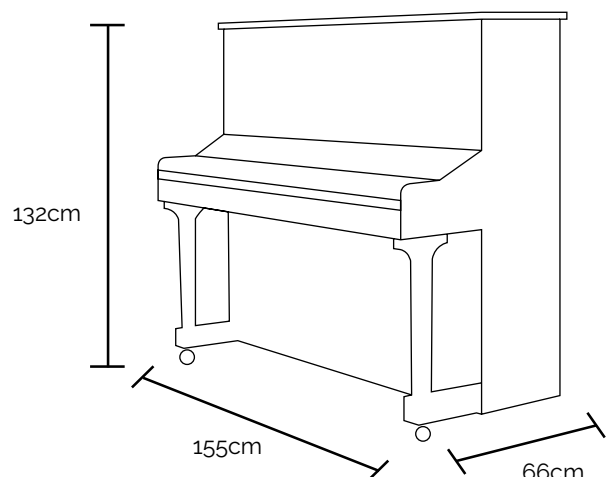
## LEAD TIME: 8 – 12 WEEKS

See reverse for full details

**price on application**

## DIMENSIONS

Width: 155cm, Height: 132cm, Length: 66cm



# DETAILED SPEC

From a full bill of materials, export details and an outline of this pianos care requirements – everything you need to know is here on one page

## BILL OF MATERIALS

### CARCASE

Hand crafted from specially selected laminated hardwoods

### SOUNDBOARD

Solid spruce German 'Strunz' soundboard

### PINBLOCK

Laminated Red Beech 'Dehonit' pinblock

### KEYS

Manufactured from selected straightgrain softwoods

### ACTION

Traditional wood, European design

### HAMMERS

German 'Abel' hammers

### KEY COVERING

Acrylic synthetic covering

### STRINGS

Handdrawn copper, spun on Roslau wire

### FRAME

Grey Cast Iron

### SELF-PLAY

Core components from PianoDisc, USA

### HARDWARE

'Chrome Silver' metal hardware

Edelweiss Pianos reserve the right to change specification details without prior notice

## INTERNATIONAL DELIVERY

Since our first international delivery in 1987 to this day we have maintained our 100%-nil damage delivery record.

Our Export Process consists of four key steps:

1. Vacuum seal and moisture barrier your piano for ultimate in-transit protection
2. Custom build an export-grade wooden crate to size for your piano
3. Your piano is placed into the crate and carefully secured into place with high-density Styrofoam packaging
4. Your crated piano is loaded onto a lorry and delivered to our freight forwarder for shipping direct to you

## SHIPPING DIMENSIONS

Length: 180cm

Width: 100cm

Height: 155cm

Crated Weight: 445kg

Sizes are for quotation / guidance only – please contact Edelweiss for calculation of an accurate delivery cost if required

## YOUR PIANO CARE REQUIREMENTS

A beautiful 'living' acoustic instrument, your Edelweiss Piano will require some ongoing care and maintenance:

- Piano Tuning – every six months
- Self-Play Service – annually
- Climate Control System Service – annually (if installed)
- Full Service & Regulation Check – recommended annually

Don't want the hassle of arranging the yourself?

Sign up to our TotalCare subscription care plan. From as little as £59 a month you can have the Edelweiss Team take on all the care requirements for your piano. Call +44 (0)1223 881691 to find out more.

